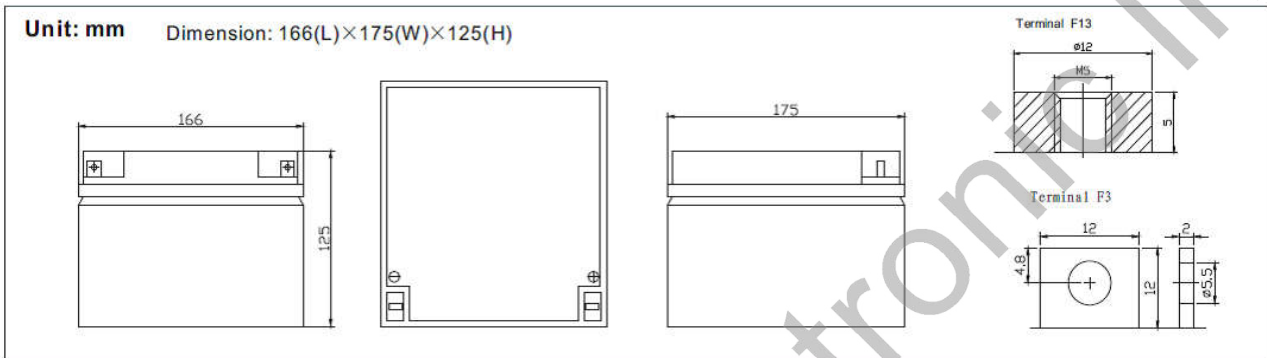


Model: PEC 12-28

PEC 12-28 is a general purpose battery with 5 years floating design life , meet with IEC, JIS standard. With heavy duty grid, thickness plates, special additives, PEC series battery have long and reliable standby service life



Dimensions



Specification

Capacity: 28Ah@20hr-rate to 1.75V per cell @25°C	Float Charging Voltage: 13.6 to 13.8 V@25°C
Voltage	12V
Weight	Approx. 9 Kg
Max. Discharge Current	280A (5 sec)
Internal Resistance	Approx. 9mΩ
Operating Temperature Range	Operation(maximum) : -20 to 55°C
	Operation(recommended) 20 to 30°C
	Storage : -20 to 40°C
Self Discharge	less than 3%per month@25° C
Container Material	A.B.S. (UL94-HB), Flammability resistance of UL94-V1 can be available upon request

Maintenance

Equalization and Cycle service voltage	14.6 to 14.8 V@25°C
Temp.compensate coefficient:	-3mV/°C/cell
Maximum charge current:	8.4A
Every three months, recommend equalization	

Constant Current Discharge Characteristics: A(25°C)

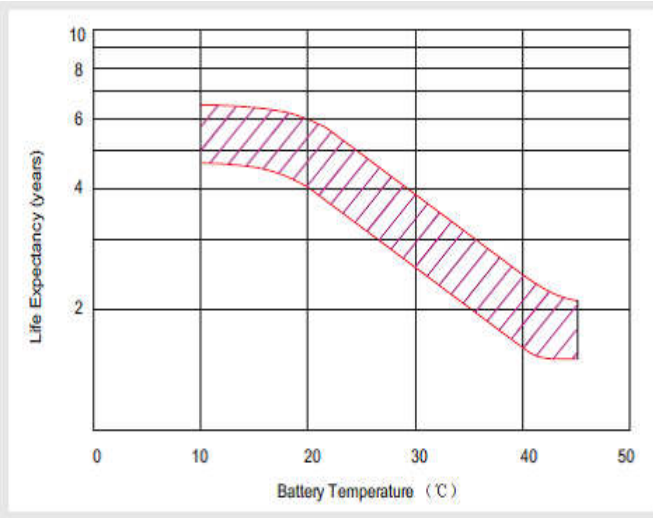
F.V/Time	5MIN	10MIN	15MIN	30MIN	1HR	2HR	3HR	4HR	5HR	8HR	10HR	20HR
9.60V	100.5	72.04	52.42	32.2	18.2	11.17	7.308	6.048	4.76	3.478	2.941	1.555
10.0V	97.84	68.54	51.34	31.67	18.12	11.09	7.28	6.02	4.732	3.45	2.913	1.527
10.2V	92.2	66.12	50.53	31.39	17.95	11	7.224	5.992	4.704	3.422	2.884	1.499
10.5V	82.79	61.02	48.12	30.6	17.78	10.92	7.196	5.936	4.648	3.393	2.856	1.47
10.8V	74.73	55.64	44.35	29.26	17.36	10.72	7	5.796	4.564	3.337	2.828	1.442
11.1V	65.05	49.73	39.78	27.41	16.49	10.25	6.692	5.516	4.368	3.195	2.743	1.357

Constant Power Discharge Characteristics: W(25°C)

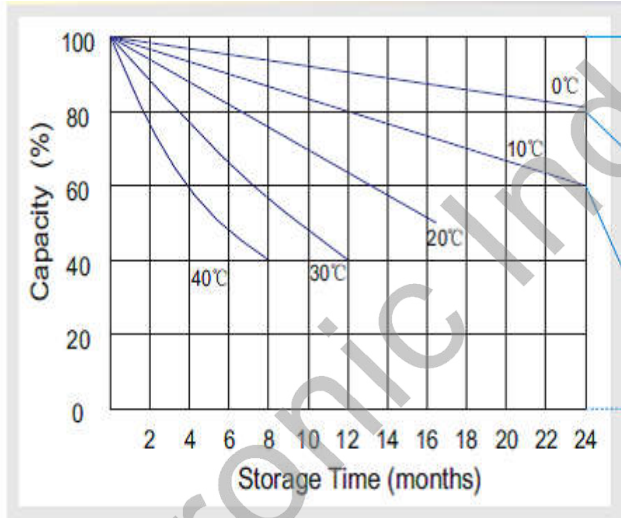
F.V/Time	5MIN	10MIN	15MIN	30MIN	1HR	2HR	3HR	4HR	5HR	8HR	10HR	20HR
9.6 V	1048	766	564	363.4	208.2	128.5	84.34	69.89	55.1	40.36	33.07	17.47
10.0V	1026	731.7	552.3	358.8	207.1	128	84.17	69.72	54.77	40.19	32.73	17.3
10.2V	968.7	707.3	544.8	354.6	205.6	126.8	83.66	69.38	54.6	39.85	32.56	17.13
10.5V	872.3	653.6	519.5	346.6	203.6	125.7	83.16	68.88	54.1	39.51	32.22	16.96
10.8V	784.6	593.4	477.3	330.8	198.6	123.8	81.14	67.03	53.26	38.66	31.88	16.79
11.1V	677.3	527	426.2	310	188.2	118.1	77.11	63.84	50.57	37.31	30.86	16.11

Model: PEC 12-28

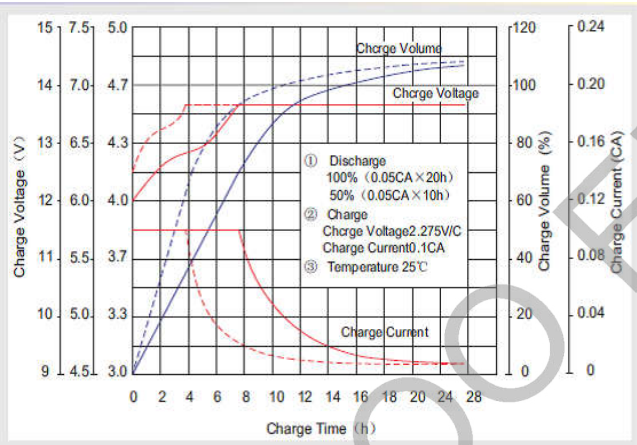
Effect of temperature on float life time



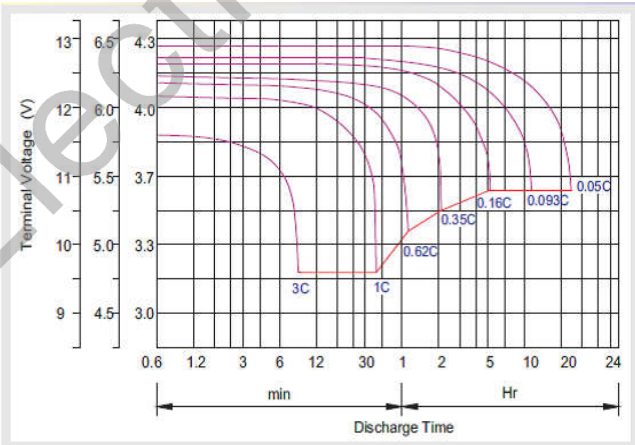
Storage characteristic



Charge characteristic Curve for standby use



Discharge characteristic Curve



Capacity Factors at Different Temperature

-20°C	-10°C	0°C	5°C	10°C	20°C	25°C	30°C	40°C	45°C
46%	66%	76%	83%	90%	98%	100%	103%	107%	109%

Equalization charge method:

First charge the batteries,
then charge the batteries with constant voltage of 2.45V/cell, the time of equalization charge is 24 hours@25°C



Porsoo Electronics Ind.

Central Office Add.: No.2, Azadegan St., Ghaem-Magham-Farahani Ave., Tehran 1586736115 IRAN
 Tel.: +98-21-83836 Fax: +98-21-88102600 E-mail: sales@porsoo.ir
 After Sales Service: Tel.: +98-21-83837000 Fax: +98-21-88102610 E-mail: service@porsoo.ir
 Website: www.porsoo.ir